



Description:

Articulated table lamp designed in the late 70s in the style of the English school. The simplicity of its forms is reflected in its friction swivel joints and aluminium shade. Finishes: matte black, matte red or satin beige. Shade with a satin white interior. Available in two sizes.

Materials:

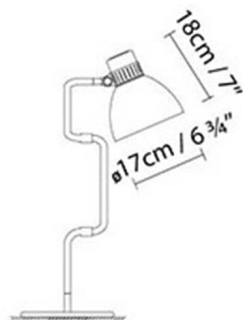
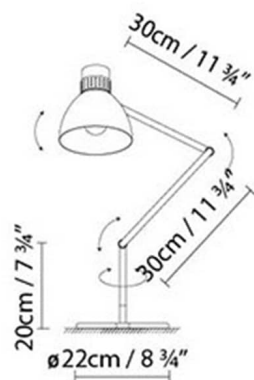
Aluminium.

Certifications:



IP20

BLUX SYSTEM T30



Light source:

LED **A+** LED 10W (E27)

A Fluo. max. 11W (E27)

D Halo. classic. max. 57W (E27)

Weight :

Net kg.:

Gross kg:

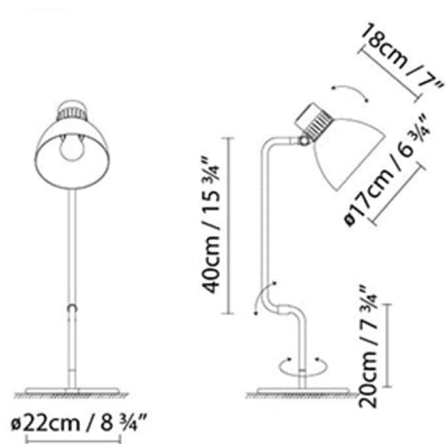
Packaging:

N. packages:

Volume m3:


Dimensions cm:

BLUX SYSTEM T40

**Light source:**

LED ▶ LED 10W (E27)

 ▶ Fluo. max. 11W (E27)

 ▶ Halo. classic. max. 57W (E27)

Weight :

Net kg:

Gross kg:

Packaging:

N. packages:

Volume m3:

Dimensions cm:

Collection



Technical drawing
3D
Instrucciones de montaje